

INSTALLATION INSTRUCTIONS

FOR OTHER INSTRUCTIONS AND VIDEOS, VISIT
WWW.ULTRALOX.COM.AU

50 x 50MM ALUMINIUM POST DECK INSTALLATION

It is the responsibility of the installer to meet all local code requirements and obtain all required building permits. The installer should determine and implement appropriate installation techniques for each installation situation. ULTRALOX® or its reseller shall not be held responsible for improper or unsafe installation.

SUGGESTED TOOLS: Cordless Drill, 5mm Drill Bit, #2 Sq. Driver Bit, 15mm Drill Bit (optional), and Safety Glasses.

IMPORTANT NOTE: Do not install base plate cover until balustrade assembly is completed. 75mm posts are required to reach 1830mm and 2440mm lengths. 50mm posts must be set in-line to panel.

CAUTION! IF INSTALLING LIGHTING, WIRING MUST BE INSTALLED PRIOR TO SECURING POSTS TO DECK SURFACE AND INSTALLING HAND RAIL SNAPS.

STEP ONE - Determine necessary posts required and prepare (end, center or corner post configurations)

Note: For 50mm Posts, must install with center screw chases in-line with balustrade (Dia. A).

- Refer to Balustrade Install Instructions. Install lower clip on post and secure with (2) -#8x20mm Self-drilling screws. Clips are located in the Balustrade Kit.

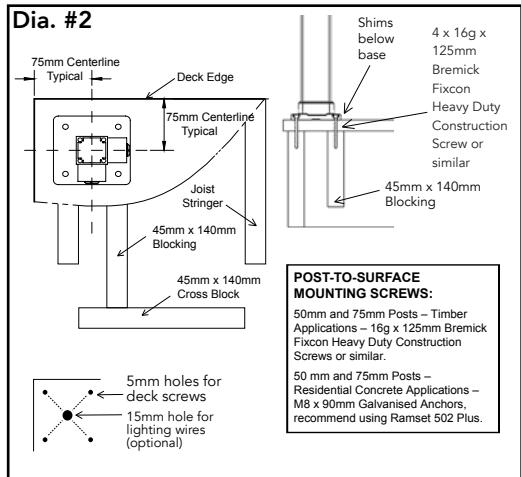
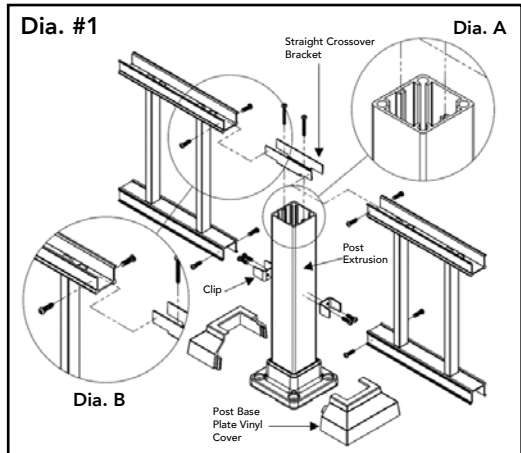
STEP TWO - Securing Posts to Deck

Install proper post blocking as per (Dia. #2). Use proper attachment screws or anchors as directed below. (Deck screws at each post location, are not included with kits).

- With 5mm drill bit, pre-drill through deck boards and into blocking.
- Drill a 15mm hole in center of four deck screw holes for lighting wires (optional).
- Level and plumb post using shims.
- Secure posts to deck with suggested screws.

STEP THREE - Install Crossover Bracket and Base Plate Vinyl Cover

- With #2 Sq. driver bit, fasten straight crossover bracket (included) into post with (2) - #8x40mm Self-drilling Screws. (Dia. A)
Note: Self-drilling crews must be installed in screw chases in-line with balustrades.
- With #2 Sq. driver bit, fasten H-channel to straight crossover bracket with (4) - #8x20mm Self-drilling Screws. (Dia. B)
 Repeat for lower clips.
- Install base plate vinyl cover after balustrade assembly is completed. (Dia. #1)



INSTALLATION INSTRUCTIONS

FOR OTHER INSTRUCTIONS AND VIDEOS, VISIT
WWW.ULTRALOX.COM.AU

50 x 50MM ALUMINIUM POST STAIR INSTALLATION

It is the responsibility of the installer to meet all local code requirements and obtain all required building permits. The installer should determine and implement appropriate installation techniques for each installation situation. Ultralox® or its reseller shall not be held responsible for improper or unsafe installation.

SUGGESTED TOOLS: Cordless Drill, 5mm Drill Bit, #2 Sq. Driver Bit, 15mm Drill Bit (optional), and Safety Glasses.

IMPORTANT NOTE: Do not install base plate cover until balustrade assembly is completed. 75mm posts are required to reach 1830mm and 2440mm lengths. 50mm posts must be set in-line to panel.

CAUTION! IF INSTALLING LIGHTING, WIRING MUST BE INSTALLED PRIOR TO SECURING POSTS TO DECK SURFACE AND INSTALLING HAND RAIL SNAPS.

STEP ONE - Determine necessary posts required and prepare (end, center or corner post configurations) **Note:** For 50mm Posts, must install with center screw chases in-line with balustrade (Dia. C).

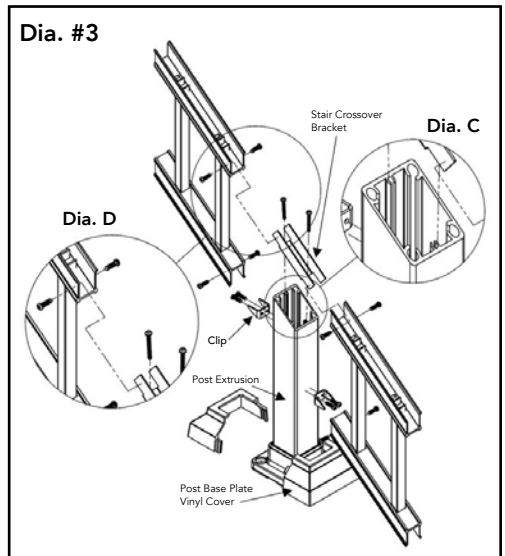
- Refer to Stair Balustrade Install Instructions. Install lower clip on post and secure with (2) - #8x20mm Self-drilling screws. Clips are located in the Stair Balustrade Kit.

STEP TWO - Securing Posts to Deck
 Install proper post blocking as per (Dia. #2). Use proper attachment screws or anchors as directed below. (Deck screws at each post location, are not included with kits).

- With 5mm drill bit, pre-drill through deck boards and into blocking.
- Drill a 15mm hole in center of four deck screw holes for lighting wires (optional).
- Level and plumb post using shims.
- Secure posts to deck with suggested screws.

STEP THREE - Install Stair Crossover Bracket and Base Plate Vinyl Cover

- With #2 Sq. driver bit, fasten stair crossover bracket (not included with post kit) into post with (2) - #8x40mm Self-drilling Screws. (Dia. C) **Note:** Self-drilling screws must be installed in screw chases in-line with balustrades.
- With #2 Sq. driver bit, fasten H-channel to stair crossover bracket with (4) - #8x20mm Self-drilling Screws. (Dia. D) Repeat for lower clips.
- Install base plate vinyl cover after balustrade assembly is completed. (Dia. #3)



POST-TO-SURFACE MOUNTING SCREWS:

50mm and 75mm Posts – Timber Applications – 16g x 125mm Bremick Fixcon Heavy Duty Construction Screws or similar.

50 mm and 75mm Posts – Residential Concrete Applications – M8 x 90mm Galvanised Anchors, recommend using Ramset 502 Plus.